

# EKL7-40AFD 6KA RCBO+AFDD

**ETEK®**

RCBO EKL7-40AFD With Arc Fault Protective

Standard\_ IEC62606  
IEC61009



## Protection

- ① Arc Fault Protection
- ② Overload Protection
- ③ Short-Circuit Protection
- ④ Earth-Leakage Protection

## Technical Data

<b>Electrical Features</b>	Mode	Electronic
	Type	A
	Rated current I <sub>n</sub>	6,8,10,13,16,20,25,32,40A
	Poles	1P+N
	Rated voltage U <sub>e</sub>	230/240V~
	Insulation voltage U <sub>i</sub>	500V
	Rated frequency	50/60Hz
	Rated residual operating current(I <sub>Δn</sub> )	10,30,100,300mA
	Break time under I <sub>Δn</sub>	≤0.1s
	Rated breaking capacity	6,000A
	Energy limiting class	3
	Rated impulse withstand voltage(1.5/50) U <sub>imp</sub>	4,000V
	Dielectric test voltage at ind.Freq. for 1min	2kV
	Pollution degree	2
Thermo-magnetic release characteristic	B,C	
<b>Mechanical Features</b>	Electrical life	4,000 Cycles
	Mechanical life	10,000 Cycles
	Contact position indicator	Yes
	Protection degree	IP20
	Reference temperature for setting of thermal element	30°C
	Ambient temperature (with daily average ≤35°C)	-5°C~+40°C
	Storage temperature	-25°C~+70°C
<b>Installation</b>	Terminal connection type	Cable/Pin-type busbar
	Terminal size top/bottom for cable	25mm <sup>2</sup> 18-3AWG
	Terminal size top/bottom for busbar	25mm <sup>2</sup> 18-3AWG
	Tightening torque	2.5Nm 22In-lbs
	Mounting	On DIN rail EN60715(35mm) by means of fast clip device
	Connection	Power supply from button

# EKL7-40AFD 6KA RCBO+AFDD



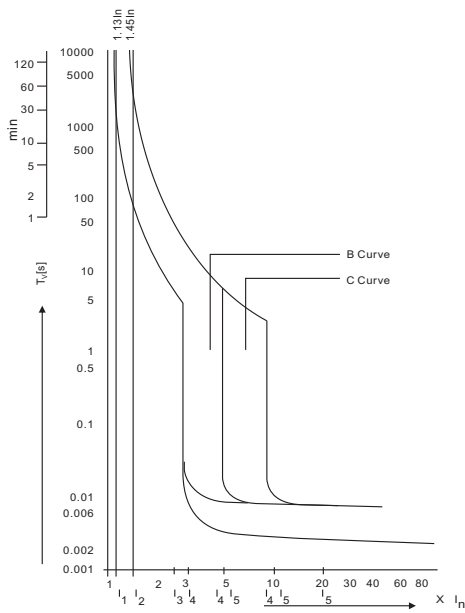
RCBO EKL7-40AFD With Arc Fault Protective

Standard IEC62606  
IEC61009

## Characteristics

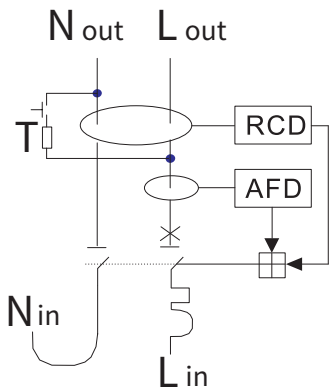
Tripping Current Range	Type	Tripping current $I\Delta/A$	
	A	Lagging Angle	$I\Delta n > 0.01A$
		0°	$0.35I\Delta n \leq I\Delta \leq 1.4I\Delta n$
		90°	$0.25I\Delta n \leq I\Delta \leq 1.4I\Delta n$
135°	$0.11I\Delta n \leq I\Delta \leq 1.4I\Delta n$		
		$I\Delta n \leq 0.01A$	$0.35I\Delta n \leq I\Delta \leq 2I\Delta n$
			$0.25I\Delta n \leq I\Delta \leq 2I\Delta n$
			$0.11I\Delta n \leq I\Delta \leq 2I\Delta n$

## Characteristics Curves



Thermal Tripping				Magnetic Tripping		
As per IEC60898	No tripping current	Tripping current $I_2$	Time Limits t	Hold current $I_4$	Trip current $I_5$	Time Limits t
B Curve	$1.13 \times I_N$		$\geq 1h$	$3 \times I_N$		$\geq 0.1s$
		$1.45 \times I_N$	$< 1h$		$5 \times I_N$	$< 0.1s$
C Curve	$1.13 \times I_N$		$\geq 1h$	$5 \times I_N$		$\geq 0.1s$
		$1.45 \times I_N$	$< 1h$		$10 \times I_N$	$< 0.1s$

## Circuit Diagram



## Overall and Installation Dimension(mm)

